



RFGate Metal Üstü RFID Ekipman Takip Etiketi

Colour:  Black  Red  Blue  Green  White

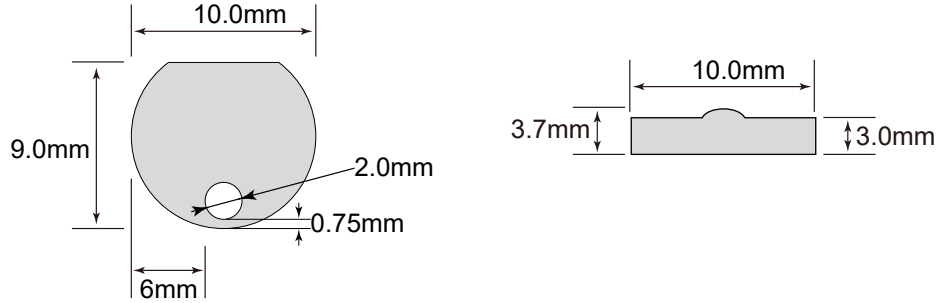
Functional Specifications:

RFID Protocol:	EPC Class1 Gen2, ISO18000-6C
Frequency:	(US) 902-928MHz, (EU) 865-868MHz
IC type:	Alien Higgs-3
Memory:	EPC 96bits (Up to 480bits) , USER 512bits, TID64bits
Write Cycles:	100,000times
Functionality:	Read/write
Data Retention:	Up to 50 Years
Applicable Surface:	Metal Surfaces
Read Range : (Fix Reader)	150cm - (US) 902-928MHz, on metal 130cm - (EU) 865-868MHz, on metal
Read Range : (Handheld Reader)	100cm - (US) 902-928MHz, on metal 95cm - (EU) 865-868MHz, on metal
Warranty:	1 Year

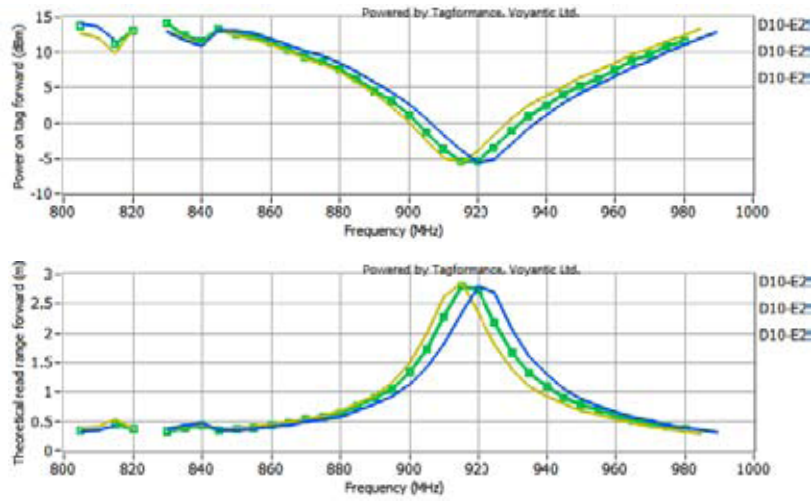
Physical Specification:

Size:	Diameter10mm, (Hole: D2mm)
Thickness:	3.0mm without IC bump, 3.7mm with IC bump
Material:	FR4 (PCB)
Colour:	Black (Red, Blue, Green, White)
Mounting Methods:	Adhesive, Screw
Weight:	0.6g

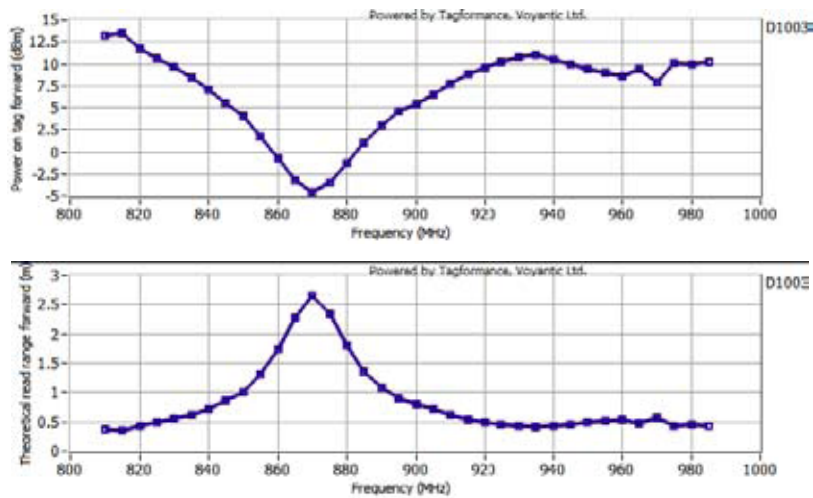
Dimensions:



PCB TD10U5 :



PCB TD10E5:



Environmental Specification:

IP Rating:	IP68
Storage Temperature:	-40°C to +150°C
Operation Temperature:	-40°C to +100°C
Certifications:	Reach Approved, RoHS Approved, CE Approved

Order information:

PCB TD10U5	(US) 902-928MHz,
PCB TD10E5	(EU) 865-868MHz